

**envirovent**<sup>®</sup>

# SILENT 100 ECOWATT

Energy Efficient, Ultra Quiet WC & Bathroom Fans



# SILENT 100 ECOWATT

Energy Efficient, Ultra Quiet WC & Bathroom Fans



## About

Range of 100mm domestic axial extract fans designed for WC and bathroom ventilation. With a consumption of only 5 Watts, the SILENT ECOWATT fans are not only extremely energy efficient, but also achieve incredibly low noise levels of 26.5dB. Fitted with motors mounted on silent elastic blocks, the fans deliver a high extract performance of 26 l/s and can be mounted on a wall or ceiling.

- Low watt DC Motor
- Sealed for life ball bearings
- Silent elastic blocks
- IP45 rated
- SELV version - IP57 rated
- Backdraught shutter and airflow guide vanes as standard
- 5 year warranty
- Quiet running
- High performance
- Pullcord option
- Significant energy savings
- Complies with local building regulations



## Innovative Features

Fitted with pilot light, backdraught shutter and airflow guide vanes as standard to improve pressure performance, the SILENT ECOWATT range is also available with numerous quality features to include optional timer, humidity sensor, SELV and PIR models.

### DC Motor Technology



The fan is fitted with 12V DC brushless motor and designed for operation at SELV.

### Adjustable Timer



After disconnection, the shut off time can be delayed between 1 and 30 minutes.

### Adjustable Humidity Sensor



The level of humidity for the bathroom can be chosen from between 60% and 90% RH. The extract fan will continue to work long enough to reach the selected level.

### PIR



Automatically starts up when the fan detects movement at a maximum of 4 metres.

## SELV

Designed to work within the safety area, connected to remotely sited transformers.



## Silent-Blocks

Motor mounted on "Silent-elastic-block" to prevent vibration and noise transmission.



ORDER CODE	SIL 100 S ECO	SIL 100 T ECO	SIL 100 HT ECO	SIL 100 PIR ECO	SIL 100 T 12V ECO	SIL 100 HTP 12V ECO
Pilot Light	•	•	•	•	•	•
Sealed For Life Ball Bearings	•	•	•	•	•	•
Silent Elastic Blocks	•	•	•	•	•	•
Backdraught Shutter	•	•	•	•	•	•
Adjustable Timer		•	•	•	•	•
Adjustable Humidity Sensor			•			•
PIR				•		
Pullcord						•
SELV					•	•

## Back draft shutter

To prevent air entry and limit heat leakage when the extractor is not operating. It opens due to the pressure of the air.



## Technical Specification

### Product

The SILENT 100 ECOWATT is an innovative energy efficient domestic axial extract fan designed to offer a low level of noise supplied in a 230V or SELV (12V) format suitable for small rooms and bathrooms. The fan is fitted with a pilot light, backdraught shutter and airflow guide vanes as standard.

### Application Suitability

The SILENT 100 ECOWATT can be wall or ceiling mounted to meet the Building Regulations - Part F (England), Scottish Building Standards and Part K (Northern Ireland). The fan will ventilate domestic small rooms and bathrooms.

### Performance

MODEL Ø	Silent 100 Ecowatt	Silent 100 Ecowatt 12V
Speed (RPM)	2100	2300
Watts (W)	5	6
Voltage (V) 50Hz	230	12
Airflow l/s (m <sup>3</sup> /h)	26 (95)	26 (95)
dB(A) @ 3m	26.5	26.5
Weight (Kg)	0.57	0.57
IP Rating	IP45	IP57
Ø Duct (mm)	100	100

### Installation

Full installation guide is enclosed with all products; or sent separately in advance - if required.

### Motor

Is a 230V 50/60Hz motor, which is assembled on silent elastic blocks and fitted with ball bearings for enhanced working life.

### Fan

The impeller is axial flow type.

### Servicing / Maintenance

The extract fans only require periodical cleaning using a cloth soaked with a soft detergent.

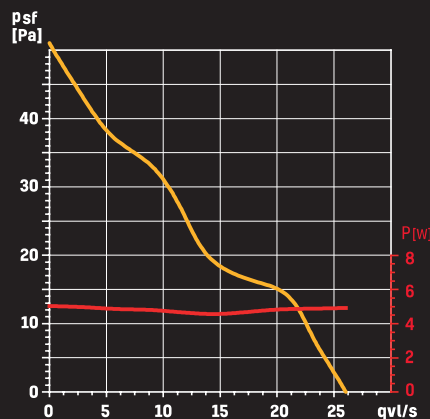
### Warranty

The SILENT 100 ECOWATT is covered by a 5 year warranty.

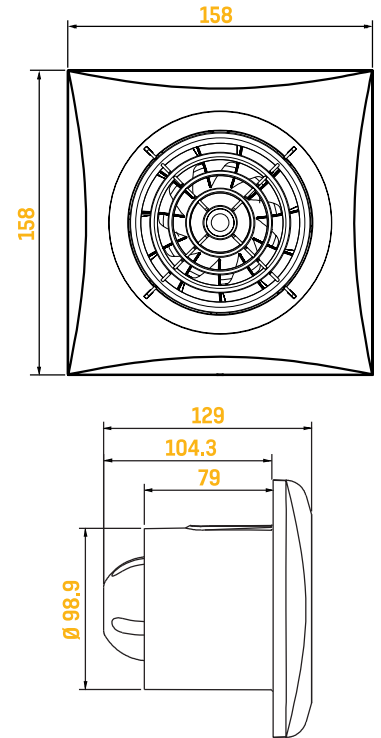
### Compliance

CE Marked.

## Performance Curve



## Dimensions (mm)



## Options & Ancillaries

DESCRIPTION	CODE(S)
STANDARD WALL KIT	1RDEFWAK100
FIXED LOUVRE GRILLE	1RDGRILL100
WINDOW KIT	SILWIK100
WINDOW KIT (FOR DOUBLE GLAZING)	WKDG100



# envirovent®

Leaders in the manufacture of innovation and sustainable ventilation

EnviroVent Ltd  
EnviroVent House  
Hornbeam Business Park  
Harrogate  
HG2 8PA

T / 0345 27 27 807  
F / 01423 301 022  
E / enquiries@envirovent.com  
W / www.envirovent.com

Due to our policy of continuous innovation and improvement, EnviroVent reserves the right to alter products specification and appearance without notice.

E&OE | MKT ENV413 - V1 - 21.01.20

Copyright © EnviroVent Ltd 2020



Follow us on  
**facebook**



Follow us on  
**twitter**



Watch us on  
**Youtube**



Follow us on  
**Instagram**



Follow us on  
**Pinterest**



Find us on  
**LinkedIn**

